



GRAND VITARA





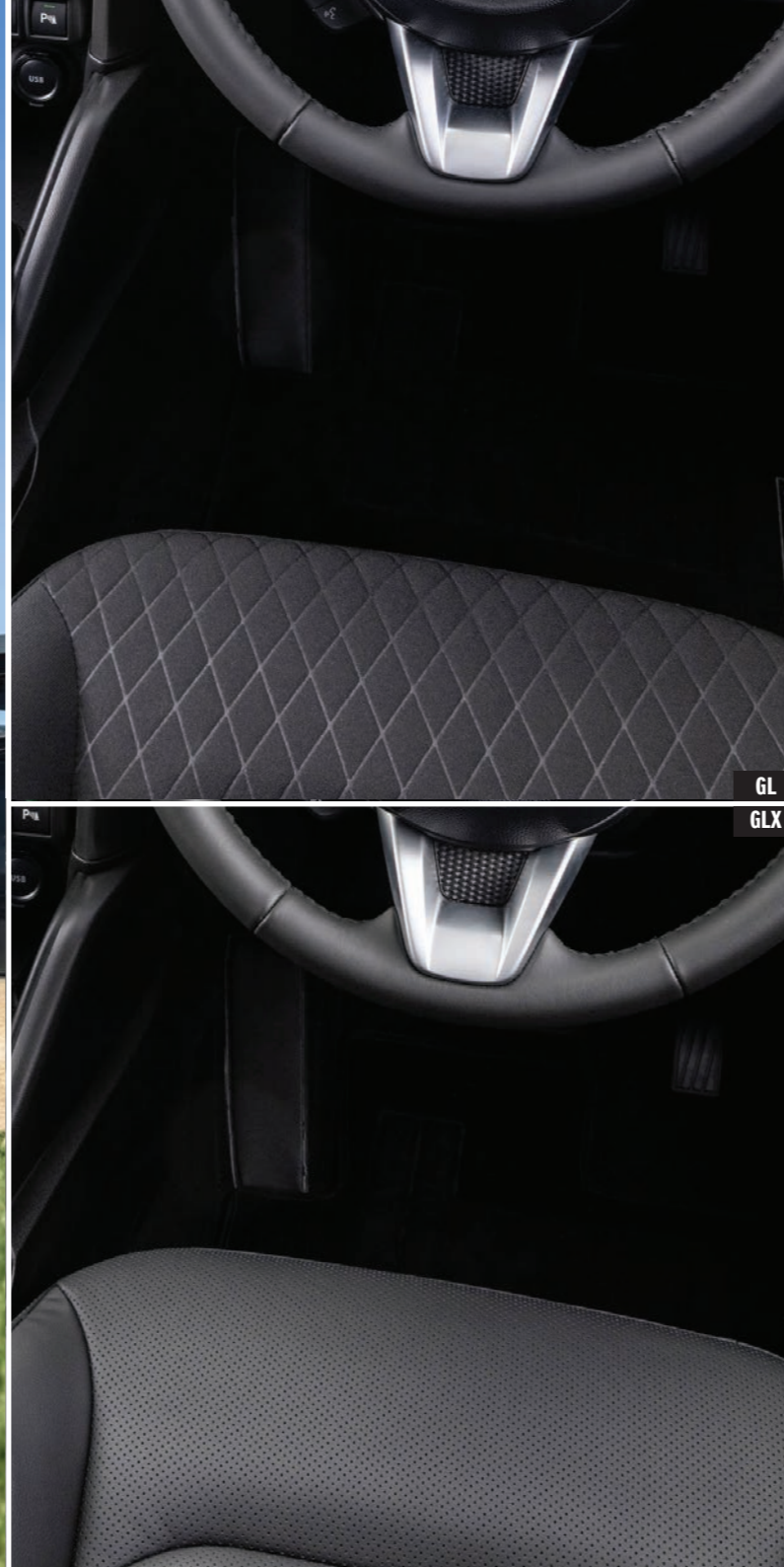
# LIVE THE GRAND LIFE

Welcome to the SUV that moves with intention. The Grand Vitara brings presence, power and premium performance into one seamless experience. From the bold new design to smart tech and a refined interior, everything about it feels tailored for those who live life fully and drive it forward. Whether you're navigating city lights or taking the scenic route, this is the SUV that lets you do it all.

# LET LIFE IN

In the GLX model, panoramic drives come with panoramic views. Featuring one of the largest panoramic sunroofs in its class, the Grand Vitara brings the sky right into the cabin. It's elevated, open-air freedom that makes every journey brighter, breezier and beautifully unfiltered.





# COMFORT THAT LOOKS AS GOOD AS IT FEELS

Step inside and experience thoughtful design wrapped in sophisticated comfort. From the textured dashboard to the seat finishes, the Grand Vitara boasts an interior that feels premium, with an elevated style that's never out of reach.

## **GL:**

Premium black fabric with diamond-patterned detailing and sleek black stitching.

## **GLX:**

Luxurious black synthetic leather upholstery with satin chrome accents for an elevated look and feel.

Both GL and GLX models feature rear roller sunshades, giving you quick relief from the sun and a cooler, more comfortable ride.

# MADE TO KEEP UP WITH YOU

With tech that blends seamlessly into your drive, both the GL and GLX models are equipped with smart infotainment features designed for ease, clarity and connectivity.



## GL

9-inch touchscreen with integrated rearview camera.



## GLX

9-inch Display Audio with integrated 360°-view camera.

Both systems support wireless Apple CarPlay, Android Auto™, Bluetooth®\*\*, voice control and steering wheel-mounted audio controls.

\*\*Bluetooth is a registered trademark of Bluetooth SIG, Inc.



# LIT FOR EVERY MOMENT

The Grand Vitara brings light to every detail. From LED projector headlamps with daytime running lights to softly illuminated footwells and a glowing glove box, it's designed to brighten your drive and your mood - long after the sun sets.





# CONTROL AT YOUR FINGERTIPS

The GLX model includes a Head-Up Display that is specially designed to be seen through, without obstructing your view of the road.

It displays your Speed, RPM, Gear Indicator, and others, directly within the driver's line of sight. It also has a 360°-view camera that features four cameras and one smart screen, allowing you to park, manoeuvre and stay aware with full visibility. Thanks to its minimum turning radius of just 5.4 metres, handling tight corners and small city streets becomes second nature.

# KEEP YOUR DEVICE - AND YOUR DAY - POWERED UP

The Grand Vitara GLX makes staying charged and connected easier than ever. With a wireless charger for compatible smartphones and **USB ports across the cabin**, including fast-charging rear ports, there's no need to take turns or unplug. Everyone stays plugged in and powered on.



# SAFETY THAT NEVER TAKES A BACKSEAT

Every journey begins with confidence. That's why the Grand Vitara is packed with intelligent safety systems designed to protect you, your passengers and those around you.

## SIX AIRBAGS

Including front, side and curtain airbags across all models.

## ABS & EBD

Anti-lock Braking System and Electronic Brakeforce Distribution improve braking control, even in tough conditions.

## ESP (ELECTRONIC STABILITY PROGRAMME)\*\*\*

Automatically adjusts engine output and braking when wheel slippage is detected.

## REAR PARKING SENSOR AND REVERSE CAMERA

Rear Parking Sensors with 360-degree view camera. (GLX)

Living the grand life should always come with peace of mind.

\*\*\*ESP is a registered trademark of Daimler AG.



LIVE  
*The Grand Life*



GRAND VITARA

## MAJOR SPECIFICATIONS

Steering	RHD
Number of doors	5-door
Engine	Petrol
	1.5ℓ
Drive system	2WD

## DIMENSIONS

Overall length (mm)	4 345	
Overall width (mm)	1 795	
Overall height (mm)	1 645	
Wheelbase (mm)	2 600	
Tread	Front (mm)	1 530
	Rear (mm)	1 535
Minimum turning radius (m)	4,7	
Minimum ground clearance (mm)	210	

## CAPACITIES

Seating capacity	Persons	5	
Fuel tank capacity	ℓ	45	
Luggage capacity *1	Max volume	ℓ	1 147
	Rear seatback folded (VDA method)	ℓ	310

## ENGINE

Type	K15B	
Number of cylinders	4	
Number of valves	16	
Piston displacement	cm3	1 462
Bore x stroke	mm	74 x 85
Compression ratio	10,5	
Maximum output	kW/rpm	77/6,000
Maximum torque	N-m/rpm	138/4,400
Fuel distribution	Multi-point injection	

## TRANSMISSION

Type		K15B	
		2WD	
		5MT	4AT
Gear ratio	1 <sup>st</sup>	3,9090	2,8750
	2 <sup>nd</sup>	2,0434	1,5681
	3 <sup>rd</sup>	1,4074	1,0000
	4 <sup>th</sup>	1,0645	0,6969
	5 <sup>th</sup>	0,8157	-
	6 <sup>th</sup>	-	-
	Reverse	3,2500	2,3000
Final gear ratio		4,6875	4,375

## CHASSIS

Steering		Rack & Pinion
Brakes	Front	Ventilated disc
	Rear	Solid disc
Suspension	Front	MacPherson strut
	Rear	Torsion beam
Tyres		215/60R17

## WEIGHTS

Type	K15B	
	2WD	
	5MT	4AT
Kerb weight (min./with full option) (kg)	1,135	1,145
Gross vehicle weight (kg)	1620	1,625
Towing capacity (braked)	1000kg	

## PERFORMANCE

Type	K15B	
	2WD	
	5MT	4AT
Maximum speed (km/h)	165	170

## MAJOR EQUIPMENT (CONTINUED)

Type	K15B	
Drive system	2WD	
Transmission	5MT/4AT	4AT
Grade	GL	GLX

## CHASSIS

Tyres and wheels	215/60 R17 + alloy wheels	⚡	-
	215/60 R17 + alloy wheels (Diamond Cut)	-	⚡
Spare tyre and wheel	175/65R15 + steel wheel	⚡	⚡

## EXTERIOR

Panoramic sunroof		-	⚡
Front grille	Chrome + paint	⚡	⚡
Roof rails	Black	⚡	⚡
	Silver	⚡	-
Outside door handles	Body coloured	⚡	⚡
Outside mirror	Body coloured (if monotone)	⚡	⚡
	Black (if 2-tone)	-	⚡
Skid plate garnish	Front	⚡	⚡
	Back	⚡	⚡
Door beltline garnish	Material	⚡	-
	Chrome	-	⚡
Tailgate open system	Electromagnetic	⚡	⚡

## VISIBILITY

Headlamps	LED projector	⚡	⚡
	Follow me home system	⚡	⚡
Headlamp leveling device	Manual	⚡	⚡
Automatic lamps		⚡	⚡
Position lamps	LED	⚡	⚡
Front door	Green glass	⚡	-
	Green glass + UV CUT	-	⚡

## VISIBILITY (CONTINUED)

Rear door, quarter & tailgate window	Green glass	⚡	-
	Dark gray glass	-	⚡
Front wiper	Variable intermittent	⚡	⚡
Rear wiper	Fixed intermittent	⚡	⚡
Electric demister		⚡	⚡
Outside mirrors	Electrically adjustable	⚡	⚡
	Electrically folding	⚡	⚡
	With built-in turn signal lamps	⚡	⚡
Day / night rearview mirror	Manual dimming	⚡	-
	Automatic dimming	-	⚡

## STEERING AND INSTRUMENT PANEL

3-spoke steering wheel	Leather covered	⚡	⚡
	Tilt-adjustable steering wheel	⚡	⚡
	Telescopic-adjustable steering wheel	⚡	⚡
	With audio controls	⚡	⚡
	With cruise control	⚡	⚡
	With hands-free phone control	⚡	⚡
Electric power steering		⚡	⚡
Tachometer		⚡	⚡
Information display	4.2-inch colour TFT display	⚡	⚡
	Clock	⚡	⚡
Light-off reminder	Alarm	⚡	⚡
Power off reminder	Alarm	⚡	⚡
Door ajar reminder	Lamp	⚡	⚡
Driver's seatbelt reminder	Lamp & alarm	⚡	⚡
Passenger's seatbelt reminder	Lamp & alarm	⚡	⚡
Low fuel warning	Lamp	⚡	⚡

## MAJOR EQUIPMENT (CONTINUED)

Type	K15B	
Drive system	2WD	
Transmission	5MT/4AT	4AT
Grade	GL	GLX

### DRIVING AMENITIES

Electric windows	Driver side (up/down auto)	⊕	⊕
	Passenger side	⊕	⊕
	Rear	⊕	⊕
Central door locking		⊕	⊕
Keyless push start system		⊕	⊕
Key less entry system		⊕	⊕
Air conditioner	Automatic	⊕	⊕
Heater		⊕	⊕
Rear A/C ventilation		⊕	⊕
Pollen filter	PM2.5 filter type	⊕	⊕
Audio	Sharkfin antenna (mounted at rear of roof)	⊕	⊕
	Speaker x 4	⊕	⊕
	Tweeter x 2	-	⊕
	9" touchscreen + reverse camera	⊕	-
	9" display audio + 360-view camera	-	⊕
Cruise control		⊕	⊕

### INTERIOR

Cabin lights	Front map light	⊕	⊕
	Cabin light (3-position)	⊕	⊕
	Glove box light	-	⊕
	Footwell light (both front seats)	-	⊕
	Ambient lights	-	⊕

Sun visors	Driver's side	With ticket holder	⊕	⊕
		With vanity mirror	⊕	⊕
		With illumination function	-	⊕
	Passenger's side	With ticket holder	⊕	⊕
		With vanity mirror	⊕	⊕
		With illumination function	-	⊕

### INTERIOR (CONTINUED)

Assist grips	Passenger's side	⊕	⊕
	Rear x 2	⊕	⊕
Cup holders	Front x 2	⊕	⊕
	Rear armrest x 2	⊕	⊕
Bottle holders	Front x 2	⊕	⊕
	Rear x 2	⊕	⊕
Centre console box with armrest		⊕	⊕
Head-up display		-	⊕
Shift knob	With black accent	⊕(MT)	-
	With plating	-	⊕(MT)
	With satin plating	⊕(AT)	⊕(AT)
USB socket	Front	-	⊕
12V accessory socket	Front	⊕	⊕
Wireless charger		-	⊕
USB charger	Rear x 2	-	⊕
Foot rest	Driver's side	⊕	⊕
Remote fuel lid opener		⊕	⊕
Front and rear door trim	Fabric	⊕	-
	Synthetic leather	-	⊕
Inside door handles	Chrome	⊕	⊕

### SEATS

Front seats	Seat height adjuster (driver's side)	⊕	⊕
	Head restraints (separate type)	⊕	⊕
	Seatback pocket (driver's side)	⊕	⊕
	Seatback pocket (passenger's side)	⊕	⊕
Rear seats	60:40-split single-fold	⊕	⊕
	Head restraint x 3 (separate type)	⊕	⊕
Seat upholstery material	Synthetic Leather	-	⊕
	Fabric	⊕	-

## MAJOR EQUIPMENT

Type	K15B	
Drive system	2WD	
Transmission	5MT/4AT	4AT
Grade	GL	GLX

## LUGGAGE AREA

Luggage shelf	◆	◆
Luggage area light	-	◆

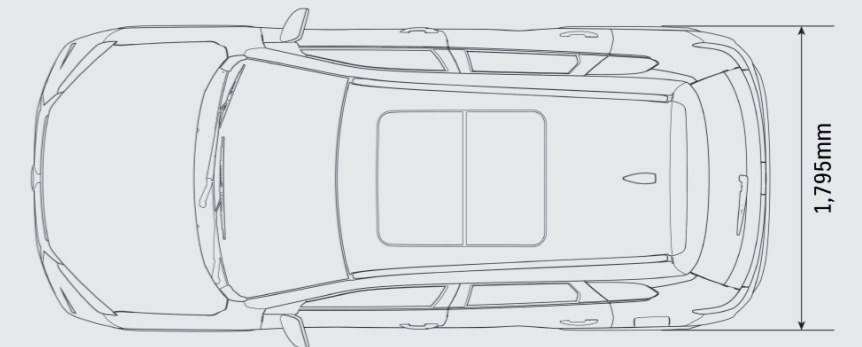
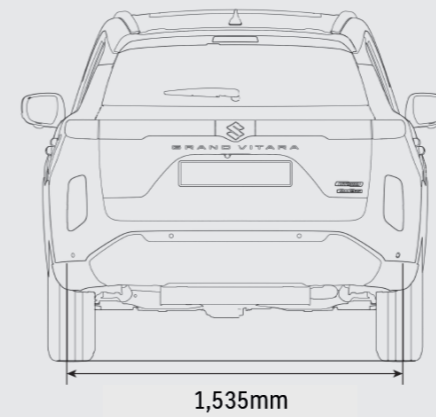
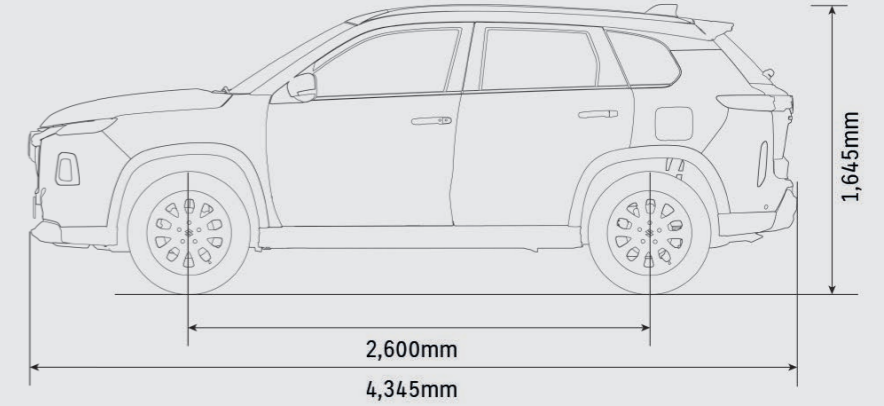
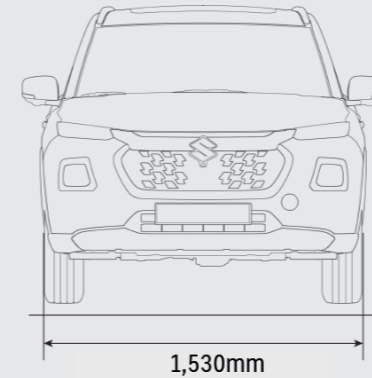
## SAFETY, SECURITY, AND ENVIRONMENTAL COMPATIBILITY

SRS front dual airbags		◆	◆
SRS side airbags		◆	◆
SRS curtain airbags		◆	◆
Seatbelts	Front: 3-point ELR seatbelts with pretensioner and force limiter	◆	◆
	Rear: 3-point ELR seatbelts x3	◆	◆
ISOFIX lower anchorage	x 2	◆	◆
ISOFIX top tether anchorage	x 2	◆	◆
Childproof rear door locks		◆	◆
Side impact door beams		◆	◆
ABS with EBD function		◆	◆
ESP®*		◆	◆
Hill hold control		◆	◆
Brake assist function		◆	◆
Parking sensors	Rear	◆	◆
LED-DRL (Daytime Running Lights)		◆	◆
High-mount stop lamp		◆	◆
Immobiliser		◆	◆
Security alarm		◆	◆
Pedal release system		◆	◆

◆ : Standard    - : Not Available

\*: Bluetooth is a registered trademark of Bluetooth SIG, Inc.

\*\* : Dependant on exterior colour.





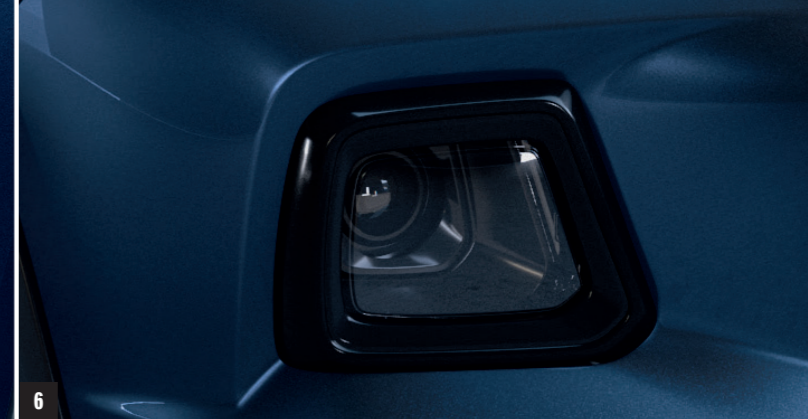
GRAND VITARA

# Accessories

This new breed of SUVs makes a strong first impression wherever it goes with these premium and luxurious exterior accessories.

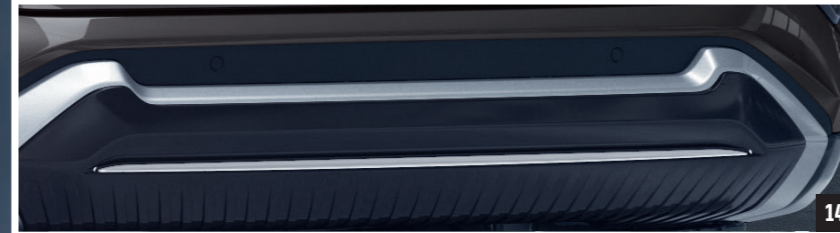
## GRAND EXTERIOR

- 1 | **Roof Basket**  
Part No. 990J0M76TR0-010
- 2 | **Roof Carrier Rails**  
Part No. 78901M76T00-000
- 3 | **Front Skid Garnish**  
Part No. 990J0M76T13-030  
 Black
- 4 | **Front Bumper**  
Part No. 990J0M76T07-010  
 Extender - Chrome  
Part No. 990J0M76T07-020  
 Extender - Smoked
- 5 | **Head Lamp Garnish**  
Part No. 990J0M76T13-060  
 Smoked
- 6 | **Head Lamp Garnish**  
Part No. 990J0M76T13-060  
 Black



- 7 | **ORVM Garnish**  
Part No. 990J0M76T13-070  
 Chrome
- 8 | **ORVM Garnish**  
Part No. 990J0M76T13-090  
 Black
- 9 | **Side Skid Plate**  
Part No. 990J0M76T07-040  
 +  Black + Smoked  
**Body Side Moulding**  
Part No. 990J0M76T01-020  
 Smoked
- 10 | **Side Skid Plate**  
Part No. 990J0M76T07-030  
 +  Black + Chrome  
**Body Side Moulding**  
Part No. 990J0M76T01-010  
 Chrome
- 11 | **Back Door Garnish**  
Part No. 990J0M76T13-010
- NP | **Tow Bar**  
Part No. 72901- 76T00-000

NP = No Picture



12 | Rear LED Garnish  
Part No. 990J0M76T13-150  
■ Smoked  
Part No. 990J0M76T13-120  
■ Chrome

13 | Door Visor  
Part No. 990JM76TQ0-010

14 | Rear Skid Plate  
Part No. 990J0M76T07-050  
□ + ■ Black + Chrome  
Part No. 990J0M76T07-060  
■ Smoked

15 | Mud Flap  
Part No. 72201M76TX0-000

16 | Trunk sill Guard  
Part No. 990J0M76TM9-010

## GRAND INTERIOR

- 1 | 3D Boot Mat  
Part No. 990J0M76TA3-010
- 2 | All Weather 3D Mat  
Part No. 75901M76TK0-000
- 3 | Door Sill Guard  
Part No. 990J0M76TM8-010





# GRAND COLOUR RANGE



Arctic White Pearl with Midnight Black Pearl Roof



Arctic White Pearl



Cave Black Pearl Metallic



Celestial Blue Pearl Metallic



Grandeur Grey Pearl Metallic



Midnight Black Pearl



Opulent Red Pearl Metallic with Midnight Black Pearl Roof



Opulent Red Pearl Metallic



Splendid Silver Pearl Metallic with Midnight Black Pearl Roof



Splendid Silver Pearl Metallic



GRAND VITARA



# SUZUKI

## COMPLETE

Suzuki understands that purchasing a new vehicle is a substantial investment. Our unwavering commitment to customer satisfaction is represented in our 'Suzuki Complete' package, which includes every aspect of after-sales support, with warranty, service plan, and roadside assistance standard.

### Warranty

All Suzuki models are covered by a comprehensive promotional warranty against any defects for a period of 5 year / 200 000km. This is supported by a six year body corrosion warranty subject to terms and conditions.

### Service Plan

The Grand Vitara benefits from a 4 year / 60 000km service plan. This plan includes the replacement of oil, the oil filter, fuel filter, brake fluid, air filter and accessory belts, but excludes tyres, brakes and other wear-and-tear items.

### Service Intervals

15 000 km or one year, whichever comes first.

### Roadside Assistance

Every new Grand Vitara comes with a five-year roadside assistance plan. Some of the benefits offered by this comprehensive package include: battery and locksmith call-out services, mechanical and electrical, breakdown towing (accident towing is optional), emergency medical rescue, vehicle repatriation and a stand-by-you roadside security armed-response service.

All care is taken to ensure the accuracy of this brochure at the time of print approval. Specifications, features, prices and model availability may vary from those specified and may change without notice. Always consult your authorised Suzuki Dealer or refer to [www.SuzukiAuto.co.za](http://www.SuzukiAuto.co.za) for the latest details on all models. SUZUKI AUTO South Africa (PTY) Ltd will not be held liable for any loss as a result of reliance on the content of this brochure, whether in negligence or otherwise. Vehicles are shown for illustrative purposes only and may not depict exact specifications. Published February 2026.

**Part number 9900L-78K07-ZFL**



SUZUKI AUTO SOUTH AFRICA (PTY) LTD | Tel: 0861 511 111  
No.52 Saturn Crescent, Linbro Business Park, Frankenwald, Marlboro, Sandton  
[www.SuzukiAuto.co.za](http://www.SuzukiAuto.co.za)

